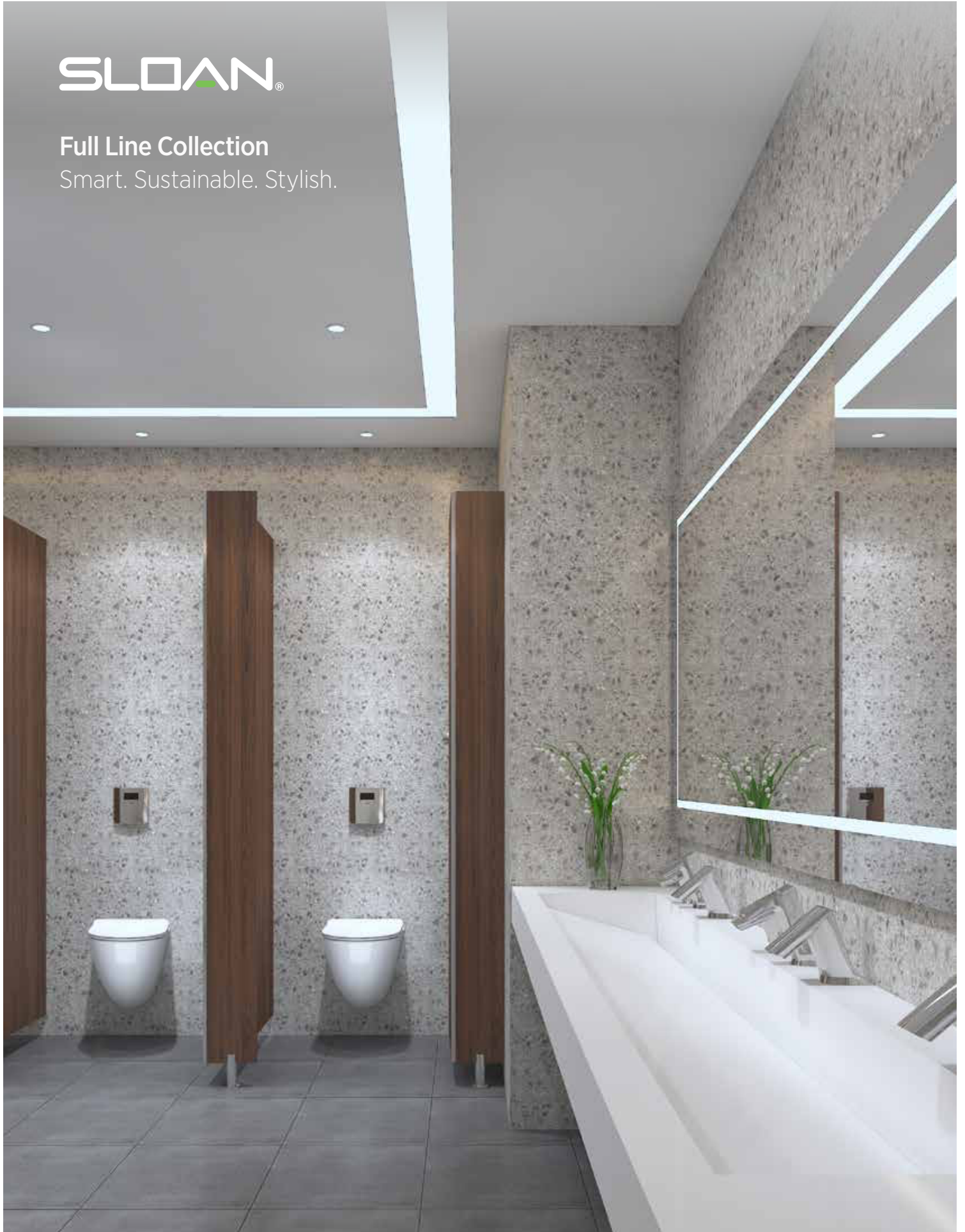


SLOAN[®]

Full Line Collection

Smart. Sustainable. Stylish.





OUR MISSION

We want to passionately preserve the environment.

Water Connects Us® is more than just Sloan's tagline. Sloan understands the dynamic relationship between the world's water management systems and its water ecosystems.

We connect communities of engineers, architects, designers, building managers and owners to high-efficient products and systems to promote healthier water ecosystems for generations to come.



Transforming the Restrooms Globally

As the world's leading manufacturer of plumbing systems, we've spent more than a century pioneering smart, water-saving restroom solutions that are built to last a lifetime. Our global team of engineers has developed technologies that improve water efficiency without compromising design, quality, affordability or performance.

We understand the dynamic relationship between the world's water management systems and its water ecosystems. We have partnered with healthcare establishments, restaurants, hotels, academic institutions, residential and commercial buildings, and other facilities around the world to save millions of liters of water with low flow, water-free and reclaimed water technology.

Our wide array of cost-saving and water-efficient solutions are now available throughout India.



Meet LEED's 20% Baseline Reductions

Many of Sloan's products not only help you meet LEED's 20% baseline reductions, but also help you achieve extra points as outlined in LEED v4 WE credit 2.

Sloan India, Gurugram facility has achieved LEED v4 ID+C certification.



Indian Green Building Council Member

Sloan strives to help build a greener India. We are a member of the Indian Green Building Council.



Indian Plumbing Association Member

Sloan is a proud member of the Indian Plumbing Association, a voluntary non-profit organization for plumbing professionals in India.



IAPMO

Partnering to strengthen scientific research in all aspects of plumbing design and analysis and strengthening product testing and certification.

A composite image featuring a Chicago skyline in the background, including a prominent clock tower and a bridge over a river. In the foreground, a white boat is on the water. The text is overlaid on a dark semi-transparent rectangle.

TRANSFORMING THE RESTROOMS GLOBALLY

Sloan helps customers worldwide to meet the water and energy challenges of growing businesses, municipalities and communities. We empower people to create water management systems that connect us all more responsibly.

As the most renowned global leader for providing intelligent solutions, clean and sustainable solutions for residential and commercial restrooms, Sloan has partnered with healthcare facilities, restaurants, hotels, schools, office buildings and institutions around the world to save millions of gallons of water with low-flow, waterfree and reclaimed water technology.

Since innovating the Royal® flushometer over 100 years ago, Sloan has led the industry in water efficiency. Sloan's products offer water conservation without sacrifice. Our global team of engineers have developed technologies that improve water-efficiency without compromising design, quality, affordability or performance.

**WATER IS OUR MOST
PRECIOUS RESOURCE**



OUR COMMITMENT TO WATER CONSERVATION

Lead the global market in smart restroom solutions focused on health, wellness, and sustainability.

Sloan is at the forefront of the green building movement and provides smart, sustainable, and hygienic restroom solutions by manufacturing water-efficient products that promote wellness in commercial, residential, industrial, and institutional markets worldwide.

Sloan continues to build a global brand synonymous with sustainability, energy conservation and water efficient products, with green innovations that include solar powered technologies and all-in-one sink systems. It also ups its game in restroom design, with more stylish and contemporary product options that are as beautiful as they are sustainable.

Our wide array of cost-saving and water-efficient solutions are now available throughout India.

PUTTING WATER EFFICIENCY TO WORK

TRUFLUSH FLUSHOMETER

SLOAN

TruFlush Flushometers

**Saving the Earth
With Every Flush.**

Easy to install. Easy to maintain.

With the ability to shut off water and replace parts in minutes, all through the wall plate, installation and maintenance of the TruFlush is simple.



Water savings with every flush

With high-efficiency flush volumes, the TruFlush Flushometer delivers the prescribed volume of water each time. Compared to a metering valve, this saves water with every flush.

Accuracy with any water pressure

The TruFlush reliably controls the amount of water used. Sloan's proven piston technology provides a consistent flush volume for pressures from 0.7 bars to 7 bars (10 psi to 100 psi).

Beautifully designed and built to last

The corrosion-resistant wall plate has a sleek design and is engineered to perform in any environment. Sloan's innovative engineering, quality materials and expert workmanship produce a flushometer you can count on for years to come.

Multiple methods of activation

The TruFlush Flushometer comes in two activation options: manual, with an easy to push single-flush button, and manual electronic dual-flush tactile push button; and sensor, with advanced infrared technology that delivers hygienic, hands-free performance.



Quick and easy installation

The TruFlush has a clean and compact valve body design, ideal for new construction or as a retrofit to most existing plumbing systems. The TruFlush is also compatible with a wide variety of washdown and siphon jet fixtures.

Fewer parts, fewer problems

The TruFlush was designed with as few parts as possible, making maintenance a breeze. The parts are easily accessible through the wall plate and are designed to minimize the opportunity for leaking and worry.

Infinite applications

The TruFlush is available in manual and sensor models, with varying flush volumes, and a wide variety of flush connections to fit the needs of your restroom. All models are engineered to withstand the harsh conditions of reclaimed water.

TRUFLUSH ELECTRONIC DUAL-FLUSH

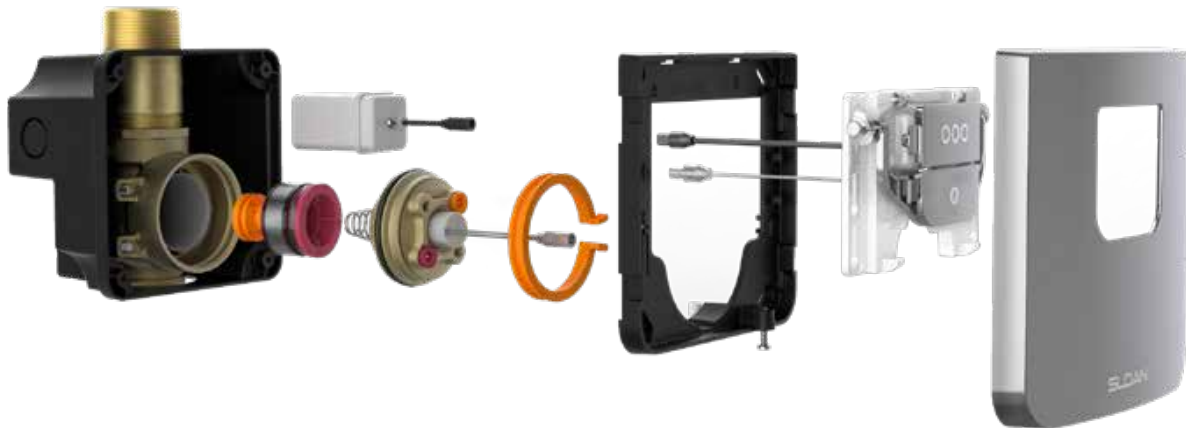


TruFlush Electronic Dual-flush
Flushometer

**A legacy of
reliable
technology
and design.**



Anatomy of the TruFlush Electronic Dual-flush Flushometer



Sloan patented the first piston flushometer in 1928, and we have been refining and improving the technology ever since. The TruFlush Electronic Dual-flush is a powerful piston flushometer with a clean, compact design that delivers an accurate flush every time and is ideal for new construction or as a retrofit to most existing plumbing systems.

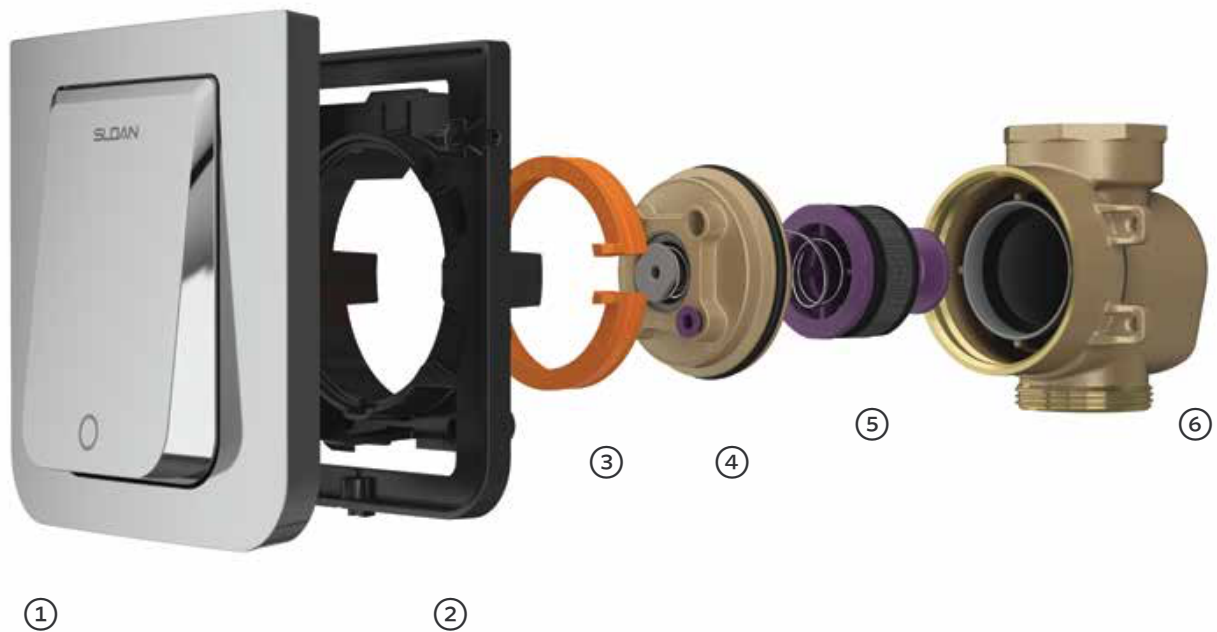
Our concealed Electronic Dual-flush is easy to install and maintain with the ability to shut off water and replace parts in minutes, all through the front plate. The concealed valve allows it to be an integral part of any restroom without interrupting the integrity of the design or architecture. It is designed to be vandal resistant, ensuring product longevity that won't tarnish over time.

Features and Benefits

- Sloan waterproof electronic PCB with tactile push buttons
- Replaceable piston assembly accessible through front wall plate
- Electronic solenoid actuated valve
- Heavy-duty rough brass and corrosion-resistant valve body
- Concealed shut-off sleeve adjusts flow rate
- Safety collar prevents access to internal components unless water is shut off
- Piston with inbuilt filter to prevent debris
- Battery (DC) with Hardwired (AC) power option

Anatomy of the TruFlush Single-flush Flushometer

See Sloan's revolutionary patented technology.



1. Wall Plate & Button

The chrome-finished wall plate design is sleek, simple, vandal-resistant, and built to last.

2. Bracket

The bracket is easy to install with just three screws needed for mounting.

3. Safety Ring

During maintenance and installation, the safety ring securely locks the internal components in place.

4. Activation Assembly

The activation assembly is used to adjust the water flow rate and is easily accessible through the wall plate. The integrated aspirator reduces noise at shutoff.

5. Piston

Sloan's proven piston technology is the heart of the flushometer and accurately controls the flush volume. Enhanced filtration is designed for even the harshest water conditions.

6. Valve Body

The heavy-duty brass and corrosion-resistant valve body houses the internal components and works with a variety of flush connections.

TruFlush Flushometer Product Line

Manual Electronic Dual-flush



Model Number	Fixture Type	Flush Volume
TRF-8036	Water Closet	6.0/3.0 Lpf
TRF-8936	Wall Plate for Water Closet models	

Manual



Model Number	Fixture Type	Flush Volume
TRF 156-1.6	Water Closet	Low Consumption 6.0 Lpf
TRF 156-1.28	Water Closet	High-efficiency 4.8 Lpf
TRF 156-1.1	Water Closet	High-efficiency 4.0 Lpf
TRF 196-0.5	Urinal	High-efficiency 1.9 Lpf
TRF 196-0.25	Urinal	High-efficiency 1.0 Lpf
GBL-200-A (CP)	Wall Plate for Water Closet and Urinal models	

Sensor-activated



Model Number	Fixture Type	Flush Volume
TRF 8156-1.6	Water Closet	Low Consumption 6.0 Lpf
TRF 8156-1.28	Water Closet	High-efficiency 4.8 Lpf
TRF 8156-1.1	Water Closet	High-efficiency 4.0 Lpf
TRF 8196-0.5	Urinal	High-efficiency 1.9 Lpf
TRF 8196-0.25	Urinal	High-efficiency 1.0 Lpf
GBL-205-AC (CP)	Wall Plate for Water Closet models	
GBL-205-AU (CP)	Wall Plate for Urinal models	



Concealed Sensor Urinal Flush Valve

Water saving with every flush.

As the leader in commercial and residential water efficiency and pioneer of the original flushometer in 1906, we have developed a new water-saving solution, the Concealed Sensor Urinal Flush Valve, the latest in our line of attractive, accurate, and reliable restroom products.

The flush valve is compatible with wash down urinals and offers flush connections and adapters to fit any restroom design. It dispenses a preset amount of water each time, as low as 0.5 Lpf, providing accuracy and efficiency.

Sloan's innovative engineering, quality materials, and expert workmanship has developed a flush valve you can count on for years to come.

Features and Benefits

- Flush volumes 0.5 Lpf, 1.0 Lpf, and 1.5 Lpf
- Operates from 0.7 bar to 5.5 bar water pressure (10 psi to 80 psi)
- Sensor-activated, touch-free flush valve for improved hand hygiene
- Solenoid actuated valve Battery (DC) or hardwired with battery backup (AC/DC) power options
- Adjustable infrared sensing range - 550 mm to 750 mm (sensing distance 625 mm as default)

Fewer parts, fewer problems.

The Sensor Urinal Flush Valve is designed with as few parts as possible, making maintenance and repair breeze. The parts are easily accessible through the wall plate and are designed to minimize the opportunity for leaking and worry.



Sloan Sensor Urinal Flush Valve Wall Plate is the Winner of NADCA Award 2022 for best Decorative Zinc die Casting.



Robust and built to last

Mud guard protects the valve body from debris and other harsh construction material during installation process. Wall box protects electronics and secures wall plate with mounting bracket.



Easy installation and maintenance

Front wall plate allows for quick and easy installation and maintenance. The compact design is ideal for new construction or retrofits to most existing plumbing systems. Internal parts are serviceable.



Durable and vandal resistant

Strong concealed wall box is made using flame retardant HDPE and high-density plastic that protects electronics and secures wall plate with mounting bracket. The wall box is covered with a sleek, chrome plated, corrosion-resistant metal wall plate.

FIXTURES

Sanitaryware Fixtures

Global
leaders in
plumbing
solutions.







Sanitaryware Fixtures

Stylish. Durable. Sustainable.

At Sloan, we have been developing flushometers for more than 115 years. And we've put that experience and knowledge to work engineering fixtures to match the performance we're known for.

Sloan's vitreous china fixtures are designed for outstanding performance and durability in both retrofit and new construction applications.

One of the advantages to designing and manufacturing both flushometers and vitreous china fixtures is the ability to offer them as pre-matched combinations.

Combining a fixture with a flushometer delivers consistent, reliable operation that is designed to help achieve your goals of lowering water usage while maintaining performance expectations.

Our comprehensive lines of water closets, urinals, and basins pair perfectly with our industry-leading flushometers and faucets, providing you with the right solution for a wide range of unique applications, so you can expect performance without concerns and saving water over the years to come.

Features and Benefits

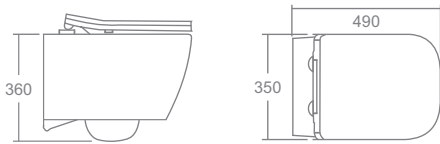
- Durable and hygienic vitreous china construction
- Wall-hung water closets for easy cleaning and more space savings
- Designed to maximize and complement Sloan flushometers
- Rimless and highly water-efficient
- The water closets come with soft close seat cover
- High-Durability Glaze to ensure a long-lasting shine
- The water closets and washdown urinals can be paired with the wide array of Sloan manual and sensor flushometers
- Anti-Microbial Coating

Water Closets and Urinal



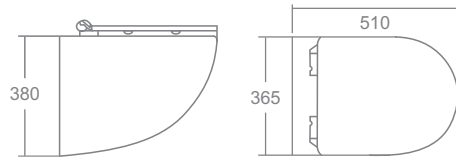
Model: SC-2761

Description: Soft Square Rimless Wall-hung Closet with Slim Soft Closing Seat Cover
 Dimensions: 490 x 350 x 360 mm



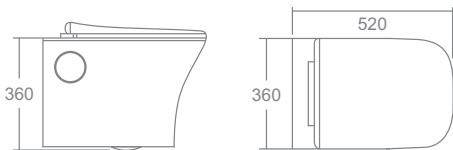
Model: SC-2762

Description: Round Rimless Wall-hung Closet with Slim Soft Closing Seat Cover
 Dimensions: 510 x 365 x 380 mm



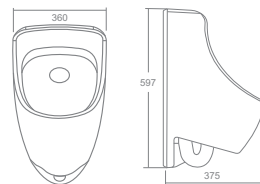
Model: SC-2763

Description: Square Wall-hung Closet with Slim Seat Cover
 Dimensions: 520 x 360 x 360 mm



Model: SG-7019

Description: Compact Rear Inlet Urinal
 Dimensions: 375 x 360 x 597 mm





Counter-Top and Under-Counter Basins

Reliable foundations for great style.

Sloan vitreous china basins are available for counter top or under-counter installation. They are perfect for any application – from executive washrooms to schools, entertainment venues, transportation centers, residential, or government buildings.

Our vitreous china basins are designed to give a distinctive advantage to your washroom. The compact size and sleek lines make them ideal for any institutional bathroom where visitors expect a higher degree of style.

Features and Benefits

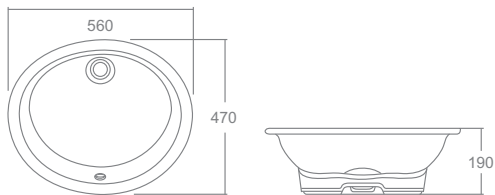
- Vitreous china counter top and under-counter basins
- Different shapes provide alternate look to match a variety of restrooms
- Great complement to all of Sloan's sensor faucet series

Under-Counter Basins



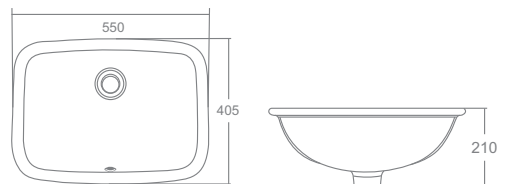
Model: SB-3941

Description: Oval Under Counter Basin
Dimensions: 560 x 470 x 190 mm



Model: SB-3021

Description: Rectangular Under Counter Basin
Dimensions: 550 x 405 x 210 mm

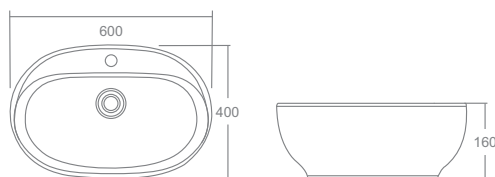


Counter-Top Basin



Model: SB-3146

Description: Oval Counter Top Basin
Dimensions: 600 x 400 x 160 mm





Health Faucets and Angle Valves

The Reliable Solution.

Backed by a century of experience building water-saving restroom solutions, Sloan's health faucets and angle valves bring brand name performance and reliability to the Indian market.

The health faucets and angle valves are versatile and flexible, perfect for any restroom project. Pair them with Sloan's TruFlush Flushometer and vitreous china water closet for a restroom solution that is sleek in design and built to last.

Features and Benefits

- Easy to install
- Vertical or horizontal spray
- Built with strong quality materials
- Flexible, chrome-plated hose
- High-pressure spray

Health Faucets

Sloan health faucets offer an ergonomic and simple to use hygienic solution. The high-pressure chrome-plated sprayers are built with premium quality material to ensure long-time use, even in high traffic restrooms. The spray heads are versatile and flexible, with 1.2 m - 1.5 m long flexible hoses and mounting brackets.



Model: HF-10



Model: HF-50



Model: HF-60



Model: HF-70



Model: HF-80

Angle Valves

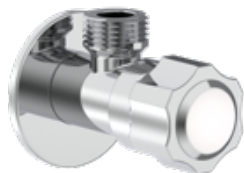
The angle valves are constructed with chrome-plated brass, feature sliding escutcheons for durability, and are easy to install. The valves support high water pressure, and the flow volume can be easily adjusted with the regulating cap. G 1/2" x G 1/2" threads and 3/8" threads. The angle valves have a noise level of < 20 dB (A) with a flow pressure of 3 bar. The flow rate of the angle valve is 15 Lpm on 3 bar pressure.



Model: HF-20



Model: AV-60



Model: AV-70



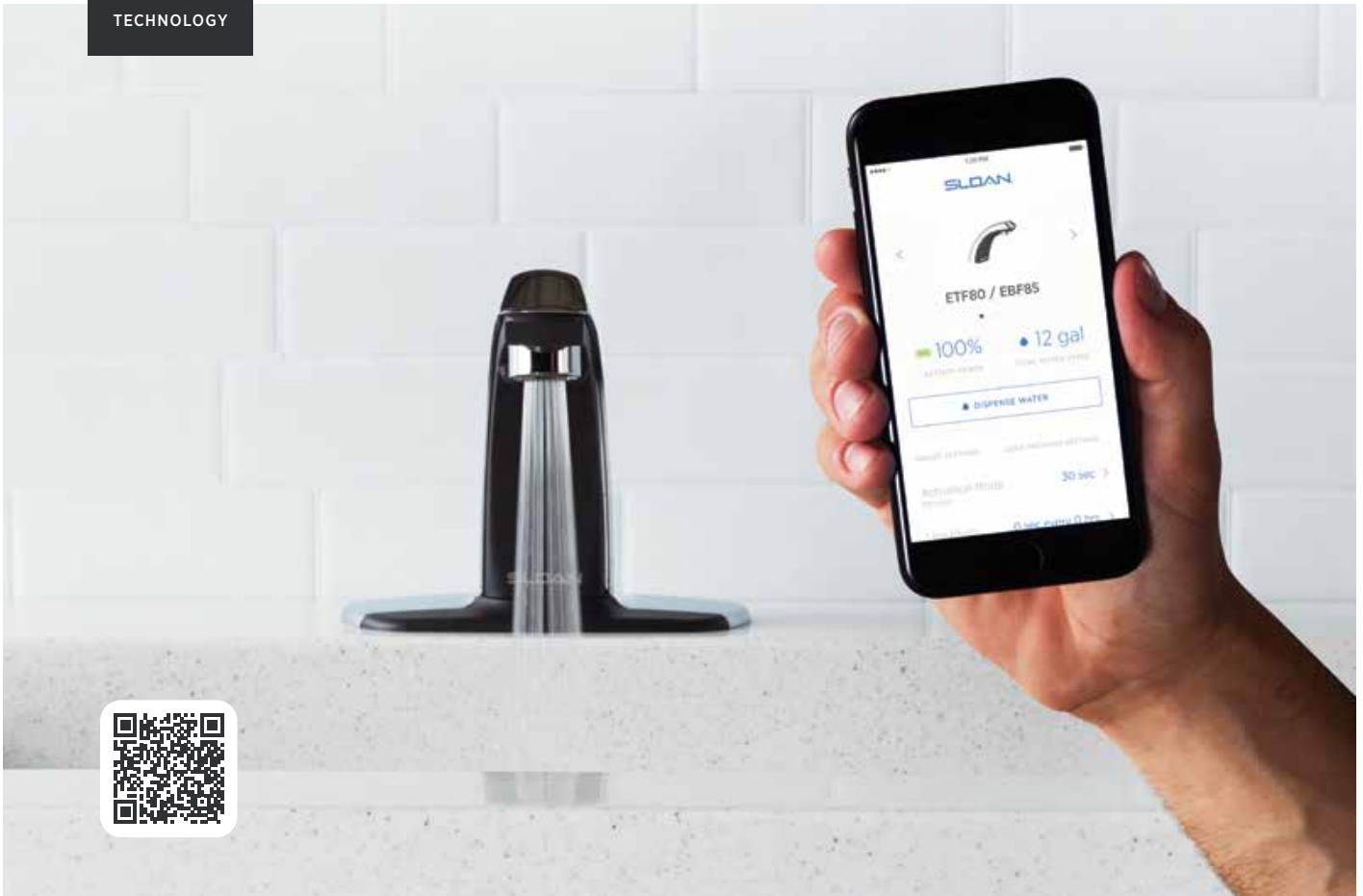
Model: AV-80

SENSOR FAUCETS

Sensor Faucets

A full line of
sensor-activated
faucets to meet
your needs.





Simply connect to monitor and adjust with the Sloan Connect® App.

Adjust and configure your Sloan Bluetooth-connected faucets from your smartphone, and see how your fixtures are performing. Quickly adjust settings wirelessly to reduce maintenance time and cost. Access technical data, and share diagnostic reports for swift and easy maintenance and troubleshooting.

Download the free Sloan Connect App for iOS and Android.



Sloan Connect App

- Adjust settings wirelessly (no deck disassembly or below-deck work required)
- Select on-demand or metered activation
- Set faucet timeouts
- Activate line flush to clear supply lines or drains
- Measure and report water usage
- Check battery strength
- Identify your faucet and access technical data
- Generate and share diagnostic reports with Sloan
- Save notes about site or faucet



Optima® Control Box

Meet the revamped Optima Faucets from Sloan. The most innovative water management system on the market has fewer parts and more standardized components, helping to reduce installation and maintenance by 50% or more.

At first glance, you'll see that new technology means fewer cords and fewer hoses. The same control unit can be powered by batteries, hardwire with battery backup, or optional hybrid energy turbine.

Features and Benefits

- Accepts 6 VAC or 24 VAC power supply
- Removable battery cartridge for easy replacement
- Plug and play connection with shielded cables
- Dual inlet filter fitting contains a built-in water filter and allows for hot and cold water mixing
- Easy inlet and outlet installation
- Up to 6 faucets can be connected to a single power source
- Provides Bluetooth connectivity to faucets

Add Bluetooth connectivity to your new or existing BASYS® EFX and hardwired Optima EAF Faucets.

Give your BASYS EFX and hardwired Optima EAF Faucets a smart upgrade with our easily installed EAF-1025 Bluetooth Adapter. It installs under the deck with plug-and-play convenience. Simply connect the adapter into the faucet cable, and the firmware will automatically update.

Note: Optima ETF/EBF Faucets have Bluetooth capability integrated. No adapter needed.





BASYS® Faucets

The future of faucets. Any application. Any environment.

Optimal hygiene for every user

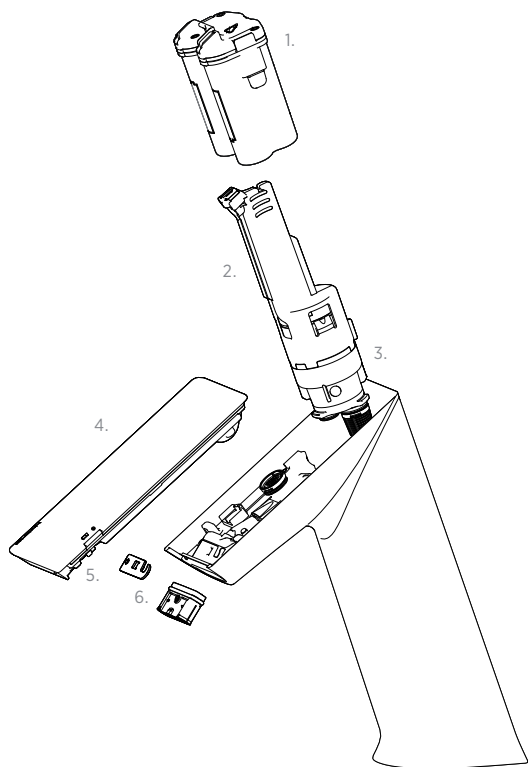
Although all touch-free faucets help reduce the spread of disease, BASYS offers additional features that help promote hygiene best-practices. All models come standard with a line purge feature that eliminates the stagnant water that can lead to bacterial growth. Infrared models offer enhanced features, like LCDs that dynamically communicate elapsed scrub time and temperature.

An any-use solution

BASYS brings ease-of-access and serviceability to wall-mounted and vessel sink applications. Solenoid and water connections are accessible above-deck, eliminating plumbing and wiring boxes under the sink. The faucet body is secured directly to the valve module which is recessed into the wall, creating a rigid, reliable assembly. Key components are accessible simply by removing the faucet's crown, and the body of the spout is large enough to allow working access, so the faucet body never needs to be removed from the wall after installation.

Features and Benefits

- Available with 1.9 Lpm or 5.7 Lpm flow rates.
- Aerated, laminar, or multi-laminar spray types.
- Battery, hardwired with battery back-up, solar, or turbine powered.
- Manage settings with the Sloan Connect® App with optional BT adapter (sold separately).
- All serviceable components above-deck. Optional LCD display for a guided
- Handwashing experience.



1. Battery caddy

Easily accessible and watertight.

2. Valve caddy/water shut-off

Shuts off water supply with one twist, without having to go below the sink.

3. Solenoid + filter

Bi-stable solenoid with integrated filter.

4. Removable crown

Upgrade product features in seconds.

5. External indicators

Individual external diagnostic LEDs help quickly identify faucet status.

6. Exchange tool + spray insert

Allows operators to remove, clean, and replace the spray.

A world of options

BASYS® is centered on a robust system of shared features and components. This fundamentally different approach revolutionized the plumbing industry by streamlining service and advancing the user experience.

Above-deck controls

Easy, above-deck access to key components is the standard for all BASYS models. The on-board electronics are completely sealed within each faucet's modular crown, which can be removed with a single Allen wrench.

Interchangeable crowns

Interchangeable crowns help tailor a product to fit the unique needs of a particular installation.



Bowed

A clean, bowed crown is the standard for all models. It provides a smooth, sleek appearance.



Solar

Solar panels embedded in the crown draw power from artificial and natural light sources.



Solar + Guided Handwashing

The LCD display instructs users how to perform a CDC-compliant hand wash.

Flow rates and spray types

Three spray types provide options to adjust the flow rate, look, and feel of the water.



MULTI-LAMINAR SPRAY
1.9 Lpm



FULL-STREAM AERATED
5.7 Lpm



FULL-STREAM LAMINAR
5.7 Lpm

BASYS® EFX Faucets



Low-height Faucet

- EFX-300** Hardwired
- EFX-350** Battery
- EFX-375** Battery + solar
- EFX-377** Battery + solar + guided handwashing
- EFX-380** Battery + turbine

Available in Polished Chrome

✦ *Bluetooth with adapter*



Low-height with Integrated Base Faucet

- EFX-600** Hardwired
- EFX-650** Battery
- EFX-675** Battery + solar
- EFX-677** Battery + solar + guided handwashing
- EFX-680** Battery + turbine

Available in Polished Chrome

✦ *Bluetooth with adapter*



Mid-height Faucet

- EFX-200** Hardwired
- EFX-250** Battery
- EFX-275** Battery + solar
- EFX-277** Battery + solar + guided handwashing
- EFX-280** Battery + turbine

Select items available in 5 finishes

✦ *Bluetooth with adapter*



High Faucet

- EFX-100** Hardwired
- EFX-150** Battery
- EFX-175** Battery + solar
- EFX-177** Battery + solar + guided handwashing
- EFX-180** Battery + turbine

Available in Polished Chrome

✦ *Bluetooth with adapter*



Wall-mounted Faucet

- EFX-800** Hardwired
- EFX-850** Battery

Available in Polished Chrome

✦ *Bluetooth with adapter*

Special Finishes

Elevate your next restroom design with our exciting range of special finishes to help create a unified restroom experience. With our special finishes available for faucets, soap dispensers, hand dryers, and flushometers, you can ensure a consistent color match between products.



Make a bold statement with Polished Brass.

Create the aura of high-end luxury and transform your space with Polished Brass. This warm finish will catch the eye of everyone who walks in the room.



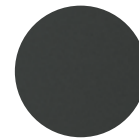
Revitalize your environment with Brushed Nickel.

With fewer fingerprints and water marks left behind, the Brushed Nickel finish remains sharp and clean even after high-traffic use in any environment.



Keep it clean and efficient with Brushed Stainless.

The Brushed Stainless finish hides most fingerprints and water marks, keeping your restroom clean no matter the environment.



Blend into the design with Graphite.

The Graphite finish blends in with any contemporary setting where a sleek and sophisticated look is desired.

Power options

With four power options, you have total flexibility with your application needs. Narrow faucets down by the ideal power type on our faucet filter page at sloan.com/faucets.



Battery

A good option for retrofit environments or installations where hardwiring is not available.



Solar

An excellent choice to passively harvest power and extend battery life from artificial or natural light sources.



Hardwired

Ideal for new construction because it eliminates regular use of disposable batteries. Many hardwired models include a battery back-up to eliminate loss of function if power loss occurs.



Turbine

Miniaturized hydroelectric turbines extract power from moving water and use it to extend battery life.

OPTIMA FAUCETS



Clark Street Collection



Clark Street Collection

Architectural facets create an elegant restroom.

Angular. Prominent. Elegantly positioned. Our Clark Street Collection mirrors the commanding lines of one of Chicago's signature thoroughfares. Drawing from a wide range of architectural influences, this collection brings precise angles into harmony with subtle curves that capture light and attention.

New Optima® ETF-410/ EBF-415 Faucets

Bring finely crafted geometric forms into your next project with our new touch-free faucets and soap dispensers. The smooth curves and defined angles make this pairing ideal for catching light and turning heads. See them as a complete restroom offering in our Clark Street Collection.

Faucet Features

- Available with 1.3 Lpm or 1.9 Lpm flow rates
- Multi-laminar spray type
- Battery or hardwired with battery back-up
- For use with the Optima Control Box
- Manage settings with the Sloan Connect® App



Rush Street Collection



Rush Street Collection

Sharp angles that fuse glamour with technology.

Our Rush Street Collection features smooth forms fused with sharp angles. Like Chicago's own Rush street, this collection has something for everyone. Natural finishes. Smooth stonework. Understated luxury at the intersection of a gritty past and a glamorous present.

New Optima[®] ETF-420/EBF-425 Faucets

Find inspiration for your next design in the organic, modern aesthetic of our latest touch-free faucet and soap dispenser pairing. See them as a complete restroom offering in our Rush Street Collection. Express your vision and expand your portfolio through a unified restroom design.

Faucet Features

- Available with 1.3 Lpm or 1.9 Lpm flow rates
- Multi-laminar spray type
- Battery or hardwired with battery back-up
- For use with the Optima Control Box
- Manage settings with the Sloan Connect[®] App



Optima® EAF-100/EAF-150 Series Faucets

This faucet and soap dispenser pairing captures the dynamic nature of water using simple forms. Behind the scenes, these precisely-engineered faucets and soap dispensers offer sensor operation that helps you maintain a better facility.

Faucet Features

- Available with 1.3 Lpm or 1.9 Lpm flow rates (and more)
- Aerated, laminar, or multi-laminar spray types
- Battery or hardwired
- Hardwired units can use optional BT adapter for Sloan Connect® access
- EAF44 power splitter included with select models



Optima® EAF-200/EAF-250/EAF-275/EAF-225 Series Faucets

Sturdy and cylindrical, our faucets and soap dispensers combine sleek curves with a defined profile. This pairing can bring a welcome touch of elegance to mass-market concepts or fit comfortably into the most exclusive facilities.

Faucet Features

- Available with 1.3 Lpm or 1.9 Lpm flow rates (and more)
- Aerated, laminar, or multi-laminar spray types
- Battery, hardwired, or solar powered
- Hardwired units can use optional BT adapter for Sloan Connect® access

Optima® Faucets



Low-height Faucet

ETF-410 Hardwired
EBF-415 Battery

Available in 5 finishes

✧ *Bluetooth enabled*



Mid-height Faucet

ETF-420 Hardwired
EBF-425 Battery

Available in 5 finishes

✧ *Bluetooth enabled*



Mid-height Faucet

EAF-200 Hardwired
EAF-250 Battery
EAF-275 Battery + solar

Select items available in 5 finishes

Optimix®-enabled anti-scald

✧ *Bluetooth with adapter*



Mid-height Faucet

EAF-100 Hardwired
EAF-150 Battery

Available in Polished Chrome

✧ *Bluetooth with adapter*



Mid-height Faucet

EAF-300 Hardwired
EAF-350 Battery

Select variations available in Graphite



Mid-height Faucet

ETF-80 Hardwired
EBF-85 Battery or battery + turbine

Available in Polished Chrome

✧ *Bluetooth enabled*



Low-height Faucet

ETF-610 Hardwired

EBF-615 Battery or Battery + Turbine

Available in Polished Chrome

✦ Bluetooth enabled



Executive Gooseneck Faucet

EAF-700 Hardwired

EAF-750 Battery

Available in Polished Chrome

✦ Bluetooth with adapter



Bluetooth enabled refers to the technology built directly into the hardware of the faucet.

Bluetooth with adapter refers to the faucet being Bluetooth capable with the addition of the Bluetooth Adapter found on page 25.

Flow rates

1.3 Lpm | 1.9 Lpm | 3.8 Lpm | 5.7 Lpm | 8.3 Lpm

Special Finishes

In addition to our standard polished chrome finish, our Optima® line can be ordered with special finishes.



Brushed Nickel



Polished Brass



Brushed stainless



Graphite

Power options

With four power options, you have total flexibility with your application needs. Narrow faucets down by the ideal power type on our faucet filter page at sloan.com/faucets.



Battery

A good option for retrofit environments or installations where hardwiring is not available.



Solar

An excellent choice to passively harvest power and extend battery life from artificial or natural light sources.



Hardwired

Ideal for new construction because it eliminates regular use of disposable batteries. Many hardwired models include a battery back-up to eliminate loss of function if power loss occurs.



Turbine

Miniaturized hydroelectric turbines extract power from moving water and use it to extend battery life.



Sloan Sensor Faucets

Combining Technology with Quality and Efficiency.

Sloan's Deluxe series of touch-free sensor faucets perfectly blends contemporary design and IR-based activation. The rugged and dependable faucets deliver reliability and longevity powered by Sloan's high-performance solenoid.

All Sloan sensor faucets are made using the highest grade material for quality and durability. Sloan is the leading global manufacturer of plumbing systems with over 50 years' experience innovating touch-free sensor restroom products.

Features and Benefits

- Adjustable infrared sensor range
- 36" (914 mm) long sensor cable
- 24" (610 mm) long flex hose
- Filtered solenoid valve with serviceable strainer filter
- Includes four (4) AA-size batteries
- Includes mounting hardware

Bring the convenience of touch-free sensor activation to any project with Sloan sensor faucets.

Hygienic

Stop the spread of germs with sensor-activated, touch-free handwashing.

Simple

The elegant one-piece design efficiently delivers and saves water.

Durable

Manufacturing processes make our products sustainable and reliable.

Intelligent

Sloan patented solenoid technology ensures precise operation every single time.



Low-height Faucet

SF-2100 Hardwired
SF-2150 Battery



Mid-height Faucet

SF-2400 Hardwired
SF-2450 Battery

Flow rates

1.3 Lpm | 1.9 Lpm

Power Option



Battery (DC)

A good option for retrofit environment or installation where hardwiring is not an option.



Hardwired with battery backup (AC/DC)

Ideal for new construction because it eliminates regular use of disposable batteries.



Faucet and Soap Dispenser

Make a perfect pairing with a soap dispenser and faucet combination.

Our new line of sensor-activated soap dispensers is designed to pair perfectly with the Sloan faucets you already love for their style, performance and durability. It's never been easier to create the ideal on-deck experience for your unique design vision.

Features and Benefits

- Soap dispensers can be ordered individually or in combo packages with matching faucets.
- All soap dispensers are available hardwired or battery-powered.
- All soap dispensers install with the same process for easy setup and maintenance.
- All soap dispensers are engineered for GOJO soap.
- Some soap dispensers can be ordered with special finishes: polished brass, brushed nickel, brushed stainless, and graphite.



ESD-411 Combination

Includes **EBF-415** Faucet and **ESD-410** Soap Dispenser



ESD-421 Combination

Includes **EBF-425** Faucet and **ESD-420** Soap Dispenser



ESD-501 Combination

Includes **EFX-250** Faucet and **ESD-500** Soap Dispenser



ESD-2001 Combination

Includes **EAF-275-ISM** Faucet and **ESD-2000** Soap Dispenser



ESD-1501 Combination

Includes **EAF-150-ISM** Faucet and **ESD-1500** Soap Dispenser



Combination ESD-801

Includes **EBF-85** Faucet and **ESD-800** Soap Dispenser



Combination ESD-701

Includes **EAF-750-ISM** Faucet and **ESD-700** Soap Dispenser



Combination ESD-2101

Includes **SF-2150** Faucet and **ESD-2100** Soap Dispenser

In addition to our standard finish, Polished Chrome, some of our Sensor Faucets and Soap Dispensers can be ordered with special finishes.

AER-DEC® INTEGRATED SINK



AER-DEC® Integrated Sink

Soap. Rinse. Dry.
All three steps
without taking
any.



Soap. Rinse. Dry.

Step up to the future of sustainable restroom design — the AER-DEC® Integrated Sink. The AER-DEC is the perfect innovation for any high-end washroom. Soap dispenser, faucet, hand dryer, and sink basin all designed to work together as one beautiful, touch-free, hygienic, highly efficient system.

Features and Benefits

- All four elements working together at arms - length (soap dispenser, faucet, hand dryer, and basin)
- Saves space and allows for a cleaner design by moving soap and hand dryer to the deck
- All three deck units are touch-free to promote hygiene
- Eliminates the need for paper towels
- Minimize water on the floor hence reduced risk of slipping and falling



AD-81000
AER-DEC® 1-Station



AD-82000
AER-DEC® 2-Station



AD-83000
AER-DEC® 3-Station



AD-84000
AER-DEC® 4-Station

It all starts with the AirBasin

Each component of the AER-DEC® is designed to create a fully integrated system. The key to that integration is the patent-pending AirBasin that redirects air and water flow to eliminate backsplash and updraft.

Visually the AER-DEC is stunning. An elegant monolithic base is simple and clean in its form. The soap dispenser, faucet, and hand dryer provide a harmonious, beautiful aesthetic. Countless options in size, material, color, and configuration give the flexibility to fit any space or style. The touch-free, hygienic design of the AER-DEC saves water, reduces energy consumption, and eliminates the need for paper towels. It's good for the environment. Good for the user. Good for business.



Sloan® Touch-free Soap Dispenser

Imagine never having to touch a soap dispenser again. The Sloan touch-free soap dispenser uses Active Infrared sensing to deliver a pre-measured application of soap. Not only does this reduce waste and eliminate soap drips on sink decks, it also improves hygiene. With a low soap indicator light and easily replaced refill bottle, routine maintenance couldn't be simpler.



Touch-free operation improves hand washing hygiene



Dispenses a pre-measured application of soap to reduce soap waste



Low soap indicator light makes for easier maintenance



BASYS® Sensor-activated Faucet

The flexibility of the BASYS sensor-activated faucet is revolutionary. Everything, from body type to power source to flow rate, can be customized, all without compromising the elegant design you expect from Sloan®. The BASYS Faucet is comprehensively field researched and meticulously engineered to suit even the most demanding environments.



Active Infrared sensing for hygienic touch-free operation



Multiple body types provide visual and functional options



Battery, solar, turbine or hardwire offers multiple power options and energy conservation



Adjustable flow rates ranging from 1.9 Lpm to 5.7 Lpm saves water



Sloan® High-speed Hand Dryer

Finally a hand dryer where you need it. The AER-DEC® brings the power and innovation of Sloan hand dryers off the wall and right to your hands. Our engineers and designers have collaborated to produce a deck-mounted hand drying system that delivers quiet and clean air flow, while using less energy. Equipped with a pioneering sound suppression system and HEPA Air Filter, the Sloan hand dryer completes the hygienic, touch-free hand washing experience.



Adjustable sound suppression air delivery system is quieter than conventional hand dryers



HEPA Air Filter removes 99% of bacteria at 0.3 microns



Uses less energy than conventional hand dryers



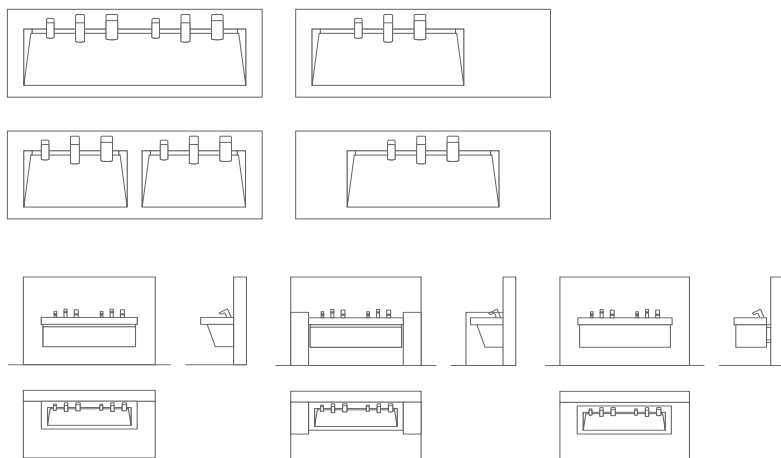
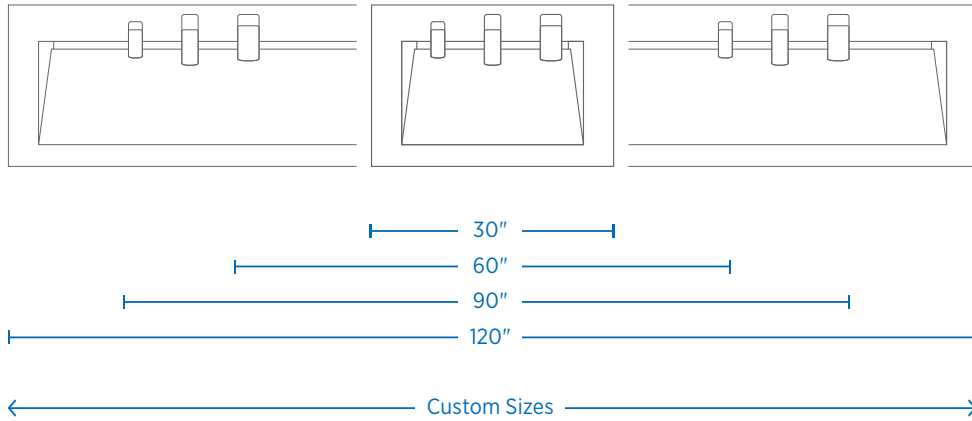
On/off heat option reduces energy use



Design your AER-DEC®

Choose a standard or custom width

Basins can be ordered in custom widths or in standard increments of 30, 60, 90 or 120 inches. Build your washroom around the AER-DEC, or the AER-DEC around your existing washroom. The basin can be custom designed to accommodate your specific needs.



Standard Surface Wall Mount

Within Alcove Walls

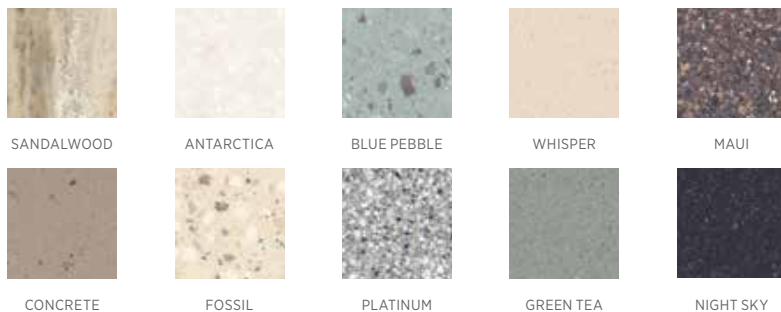
Floating

Choose a configuration

Basins can be centered or offset based on traffic flow or space restrictions. All basins are 23.5 inches deep and 5 inches thick and can be trough style or include individual stations.

Choose a mounting option

Whether you want your basin to float, fit into an alcove, or stand on its own, it is all possible with the AER-DEC® Integrated Sink.



Choose a material and color

The AirBasin can be made from your choice of one more than a 100+ colors of LG HI-MACS® or DuPont Corian®

HAND DRYERS



Sloan Hand Dryers

Speed, sound
and energy
efficiency in a
variety of option.



Sloan wall-mounted hand dryers

The perfect fit for any project.

Sloan wall-mounted hand dryers aren't just quieter, but are more energy-efficient with Environmental Product Declaration (EPD) reports that make them better for the environment too. We offer them in a variety of finishes to match any commercial project aesthetic and they pair well with other Sloan products for a complete restroom solution.

Features and Benefits

- 95% cost savings versus paper towels
- Fast dry time
- Noise level options
- Hygienic
- Cost savings
- Better for the environment than paper towels



Sloan Optima® Air

Quiet, hygienic and ADA compliant.

The Optima Air high-speed, energy-efficient hand dryer is surface mounted. It dries hands in 14 seconds using 950 watts or less, with a slimmer profile to meet ADA compliance standards.

14

Second hand dry time

950

Watts used with heat on



Brushed Nickel



Polished White



Sloan XLERATOR®

Original, patented and still the best wall-mounted hand dryer.

The Sloan XLERATOR is the original, patented, high-speed, energy-efficient hand dryer. Facilities around the world use Sloan XLERATOR to save time, money and the environment while creating a cleaner, more hygienic restroom.

8

Second hand dry time

1490

Watts used with heat on

99.97%

Bacteria filtration with optional HEPA filter



Polished Chrome



Brushed Nickel



Polished White



Matte White



Graphite



SLOAN[®]
Water Connects Us[®]

Sloan India Private Limited

344, Udyog Vihar Phase II,
Gurugram - 122015,
Haryana, India
sloan.in
1.800.123.3080
customercare@sloan.in

Follow Sloan India

f @SloanIndia

t @SloanIndia

@ @sloanindia_

in Sloan India Private Limited